

Installation Manual

of

Smart Toilet

-

Universal

Sewage Outlet

Design

Before you begin:

1. We recommend that this product is installed by a qualified plumber/installer,

We accept no liability for products incorrectly installed, or where the correct testing procedures have not been adhered to, thus resulting in the escape of water and consequential damage.

2. Check the chosen floor space for any pipes/cables prior to drilling the floor.

3. Ensure the incoming main water supply is switched off prior to commencing the installation.

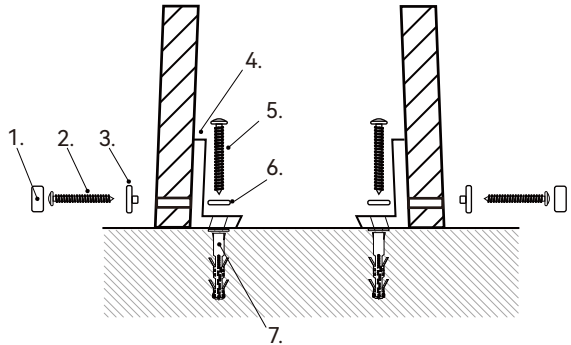
4. Observe all local plumbing and building codes & regulations.

5. Unpack the product then read these instructions before proceeding. Inspect the product for damage. If any damage is found, contact our Customer Relations team.

Parts:

Floor Fixing Kit :

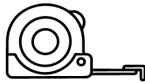
1. Screw Cover
2. Bracket to pan fixing screw
3. Screw cup
4. Floor 'L-shaped' fixing bracket
5. Floor screw
6. Screw washer
7. Rawl plug



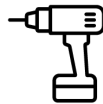
Tools required for installation (not supplied)



Pencil



Tape Measure



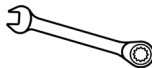
Power Drill



Spirit Level



Screwdriver



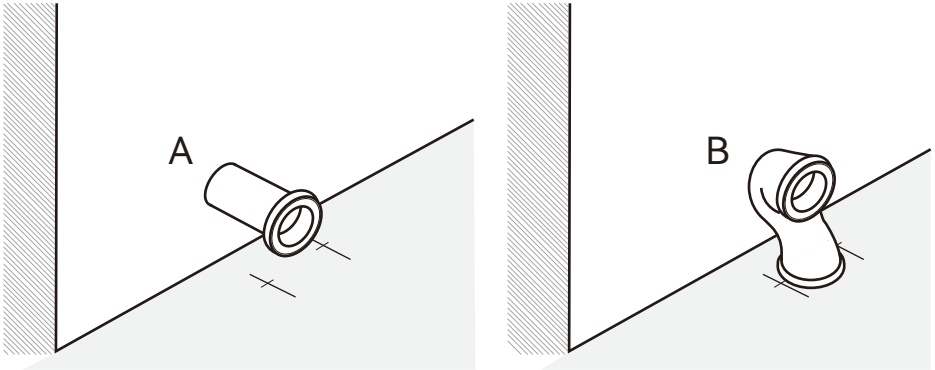
Spanner



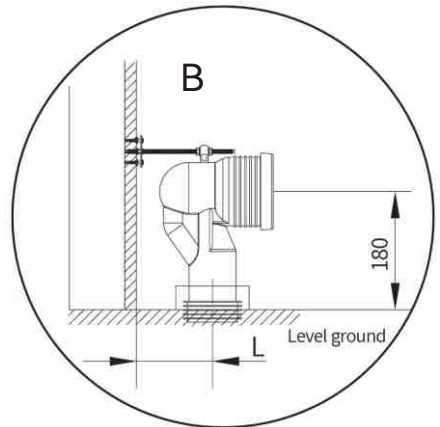
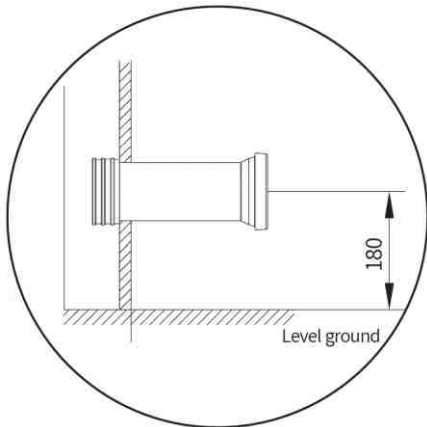
Silicone Sealant

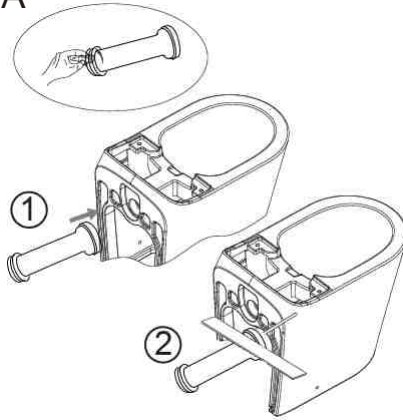
Preparing for back to wall fitting:

- **Please note:** this guide advises on the installation of the back to wall toilet pan only. Pan connector (sewage pipe). Depending on your toilet, the pan connector could be installed through the wall (A) or the floor (B).
- **Please note:** Pan connector (sewage pipe) may need to be purchased separately.

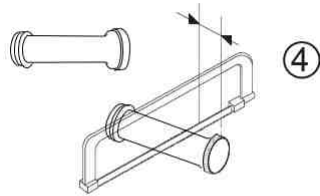
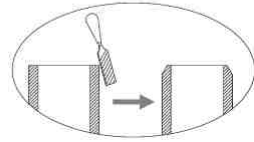


Match the length of the sewage pipe with the ceramic sewage outlet & waste pipe on the wall or on the floor, and cut off the excess part.

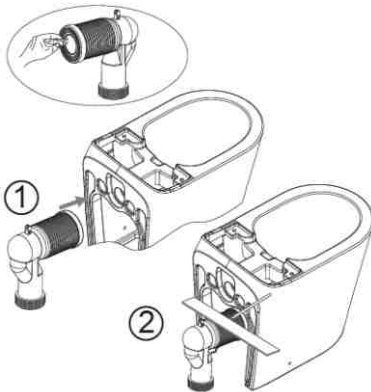


A

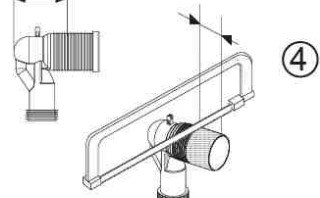
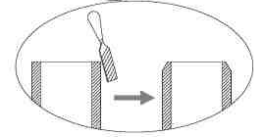
Insert the sealing ring end of the sewage pipe into the sewage outlet of the toilet (paint on all connecting ports Apply silicone oil), and mark the depth of the pipe.

③**④**

Cut the tube as shown in the figure, and bevel the cut mouth to facilitate guide installation.

B

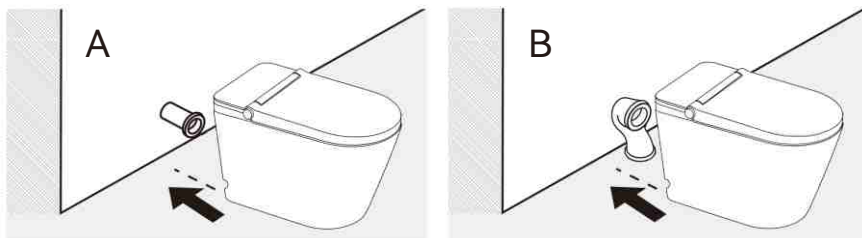
Insert the sealing ring end of the sewage pipe into the sewage outlet of the toilet (paint on all connecting ports Apply silicone oil), and mark the depth of the pipe.

③**④**

Cut the tube as shown in the figure, and bevel the cut mouth to facilitate guide installation.

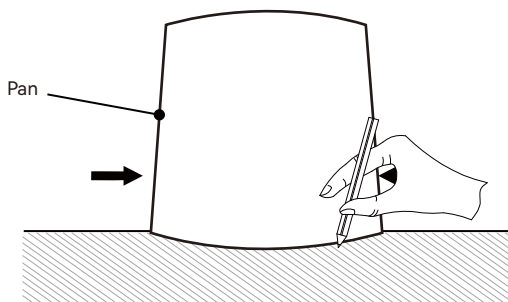
Step 1:

- Add a small amount of lubricant to the seals on the pipes to assist with the fitting. Push the toilet up to the finished wall with the pipes fully connected.



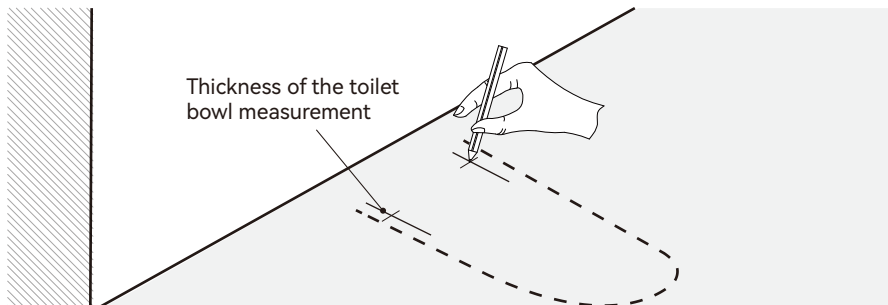
Step 2:

- Ensure that the toilet pan is level and fully backed against the wall. Mark on the outer edge of the pan (on both sides), a line with each fixing hole located in the side wall of the toilet pan.



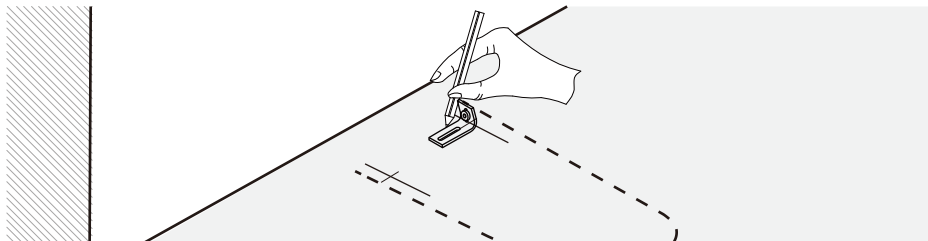
Step 3:

- Remove the pan from the location. Then measure the thickness of the toilet side wall and make another mark inwards from the original mark and in line with the fixing hole. Repeat on the other side.



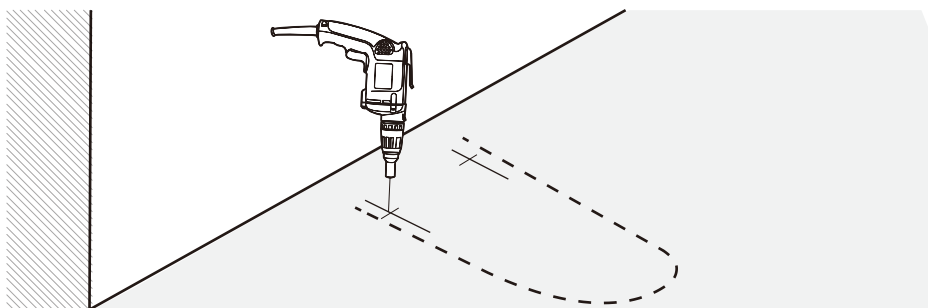
Step 4:

- Using the 'L' shaped bracket assembly, place the front edge of the bracket on the inside mark, then mark the screw hole position to secure the bracket to the floor. Repeat this on the other side.



Step 5:

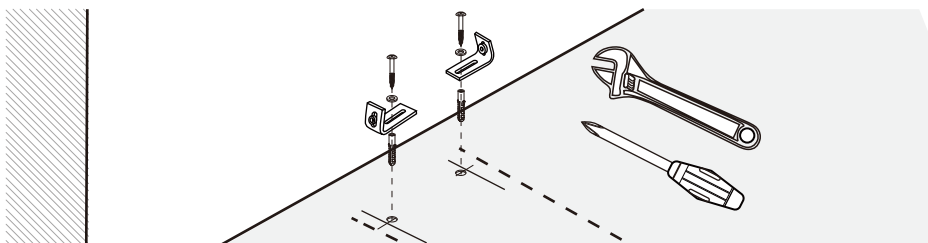
- Remove the brackets and carefully drill the holes, ensuring that no pipes or cables can be damaged.



Step 6:

- Insert the rawl plugs into the pre drilled holes if you are fitting into a solid floor. Then place the brackets over the drilled holes/plugs and insert the washers and screws through the brackets and secure into position.

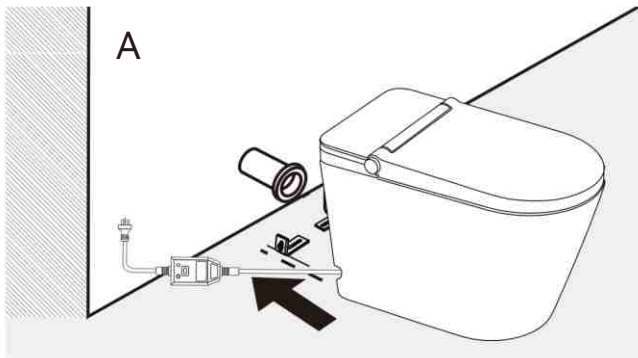
Please Note: this may need either a screwdriver slot or spanner fitting, depending on specification.



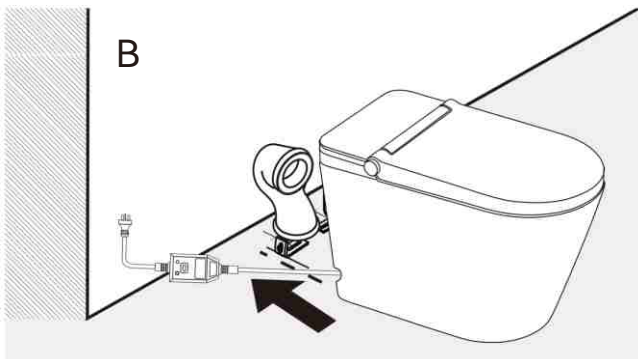
Step 7:

- Put the smart toilet on the floor, align the sewage outlet of toilet with sewage pipe on wall/floor. Take the power cord and water supply hoses out from the reserved semi circle gap at both side of toilet. Then push the toilet against wall.

A. Sewage pipe on the wall:

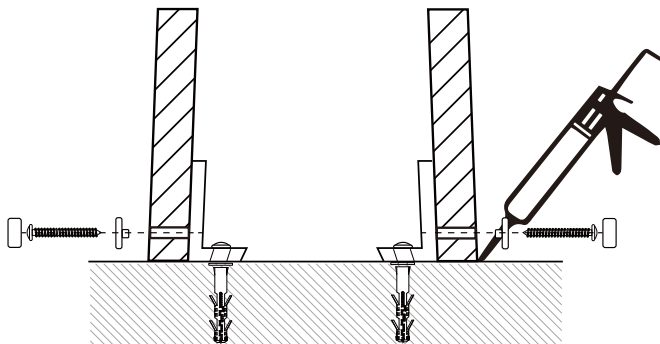


B. Sewage pipe on the floor:



Step 8:

- Once aligned, secure the toilet pan into position using the fixings provided. Finish by pushing on the screw covers. Once installation is completed, apply a small bead of good quality silicone around the bottom edge of the toilet pan. Allow 24 hours for the sealant to fully dry.

**Step 9:**

- Once assembly is completed, connect the power cord with socket, turn on the water supply, check for leaks and check the flush operation.

